



*Designed to last beautifully.™*

TRIM

MOULDING

**DECK**

PORCH

RAIL

PAVERS



# AZEK Deck Install Guide

Installation Guidelines .....	2
Tools Required.....	2
Installation Preparation.....	3
Working with AZEK Deck Boards.....	3
CONCEALoc® Hidden Fasteners .....	6
Stair Code Compliance .....	11
Trimming an AZEK Deck.....	12
Care and Cleaning .....	13
Warranty .....	14
Notes.....	15

AZEK Deck/Rim Joist Covers/Riser should be installed using the same good building principals used to install wood or composite decking and in accordance with the local building codes and the installation guidelines included below. AZEK Building Products Inc. accepts no liability or responsibility for the improper installation of this product. AZEK Deck/Rim Joist Covers/Riser may not be suitable for every application and it is the sole responsibility of the installer to be sure that AZEK Deck/Rim Joist Covers/Riser is fit for the intended use. Since all installations are unique, it is also the installer's responsibility to determine specific requirements for each Deck application. AZEK Building Products recommends that all applications be reviewed by a licensed architect, engineer or local building official before installation. If you have any questions or need further assistance, please call AZEK Customer Service at 1-877-ASK-AZEK, (877) 275-2935 or visit our website at [www.azek.com](http://www.azek.com).

### Tools Required

AZEK Deck/Rim Joist Covers/Riser can be installed with a minimum number of readily available tools. Many other tools are available that can be used for installation. All tools should be used per applicable manufacturers' instructions. Some of the basic tool requirements:

- Cordless Driver
- Chalk Line
- Tape Measure
- Jig Saw
- Carpenter Square
- Spacing Tools
- Miter Saw
- Safety Glasses

Use the jigsaw to cut around obstructions such as posts. For best results a miter saw with a fine-toothed, carbide-tipped finish trim blade (12"-60 tooth minimum) works well for cutting. For a power miter or compound power miter saw a fine finish alternate top bevel blade is also recommended. When working with AZEK products be sure to wear proper clothing and safety equipment. Safety glasses should be used during the entire installation process. Do not use any cordless saws.



## STOP! Read this section before you start!

Always make sure to visit [www.azek.com](http://www.azek.com) to ensure you are viewing the most current installation instructions, care and cleaning, technical information and more.

### AZEK Deck

AZEK does not recommend the use of rubber or vinyl products (welcome mats, planters, etc.) on deck boards. A reaction can occur that causes discoloration of the decking under the rubber/vinyl product. This is a common caution for vinyl decking products. Do NOT nail AZEK Deck boards. Cutting or drilling metal should not be done on AZEK Deck boards as metal shavings may be come hot and embed themselves into the deck boards. Always be sure to check and cut the factory cut ends of boards to ensure they are square.

### Walking Surface

AZEK deck boards need to be installed embossed side up.

### Static Electricity

Static build-up is a natural occurring phenomenon that can occur with many plastic products including PVC Decking. It could occur with AZEK products under the right environmental conditions.

### Cantilevering

For best results, don't cantilever over 1/2".

### Routing

AZEK Deck/Rim Joist Covers/Riser should not be routed with the exception of the start/stop boards in the XLM Collection (see page 6 step 8).

### Color and Grain Patterns

Color variation is purely aesthetic and does not or will not affect the performance of the product.

### Note

AZEK Deck is NOT intended for use as columns, support posts, beams, joist stringers, guard railing or other primary load-bearing members. AZEK must be supported by a code-compliant substructure. While AZEK products are great for deck re-planking (removing old deck surface boards and installing AZEK on code-compliant substructure), AZEK Deck Boards CANNOT be installed on top of an existing deck.

**Failure to install AZEK Deck products in accordance with applicable building codes and this Installation Guide may lead to personal injury, affect deck system performance and void the product warranty.**



## Extreme Heat Warning

Be aware of excessive heat on the surface of AZEK products from external sources, such as but not limited to, fire or reflection of sunlight from energy-efficient window products. Low-emissivity (Low-E) glass can potentially harm AZEK products. Low-E glass is designed to prevent passive heat gain within a structure and can cause unusual heat build-up on exterior surfaces. This extreme elevation of surface temperatures, which exceeds that of normal exposure, can possibly cause AZEK products to melt, sag, warp, discolor, increase expansion/contraction, and accelerate weathering.

Current or potential AZEK customers that have concerns about possible damage by Low-E glass should contact the manufacturer of the product which contains Low-E glass for a solution to reduce or eliminate the effects of reflected sunlight.



## Excessive Construction Debris

It is important during construction, the deck's surface stay clear from excessive build-up of dirt, sand, and dust from tile, concrete, landscape blocks, or any other masonry products. If these materials are not removed immediately, the deck surface will become difficult to clean and can potentially damage the deck's surface finish.

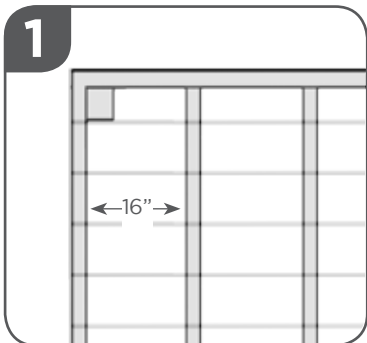
Do not use AZEK Deck as a work surface.

If a build-up does occur please refer to the Care and Cleaning section in AZEK's installation guide or website, AZEK.com.

## Installation Preparation

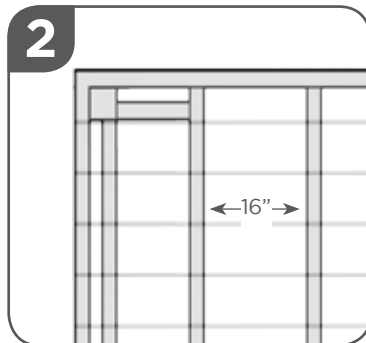
Follow these guidelines for best deck installation:

- AZEK Deck Boards are one-sided products. Deck Boards are to be installed with the grain side up for the walking surface. Rim Joist Covers are to be installed grain side out.
- AZEK Rim Joists are one-sided with exception to the XLM Collection.
- Prior to installation, check to make sure all joists are level, structurally sound, and there are no nails or screws protruding.
- Ensure that all joists are crowned correctly and that all joists are level across the top as AZEK Deck will conform to the surface contour of the substructure.
- Proper joist spacing is required for proper installation. Joist spacing should never exceed 16" on center. For a more rigid feel, 12" may be preferred.
- For best results, installing solid wood blocking between each joist, placed every 4' - 6' within the structure, can help reduce movement or twisting of the joists. Limiting joist movement can help reduce excessive gapping and also ensure more uniform finished surface of the AZEK Deck.



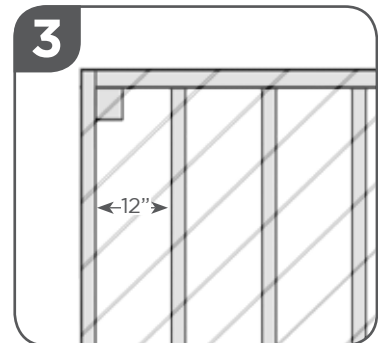
### 1 16" BASIC INSTALLATION SUBSTRUCTURE

16" on center maximum joists. (12" on center for commercial applications)



### 2 PICTURE FRAME INSTALLATION SUBSTRUCTURE

16" on center maximum joists plus additional support for picture frame structure (12" on center for commercial applications)



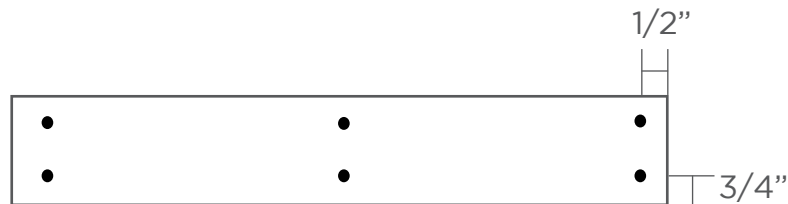
### 3 DIAGONAL INSTALLATION SUBSTRUCTURE

12" on center maximum joists. More severe angles may require closer joist spacing.

## Expansion and Contraction

AZEK Deck/Rim Joist Covers/Riser will have expansion and contraction with changes in temperature, unlike wood whose size will fluctuate with moisture changes. The expansion and contraction encountered may result in slight gaps, which might be noticed at the ends of boards or in splice joints. Fastening the deck boards according to the Installation Guidelines will help minimize expansion and contraction.

- Expansion/contraction is most significant where extreme temperature change may exist.
- Best practice is to cut and fasten the deck boards as soon after cutting as possible.
- Install the boards together tightly at splices or miters.
- Be sure to fasten ends of boards, splices, or abutments to building or structure securely into framing using 2 screws. Position the screws at or within 1/2" of each board end or joint and 3/4" from side of deck plank.



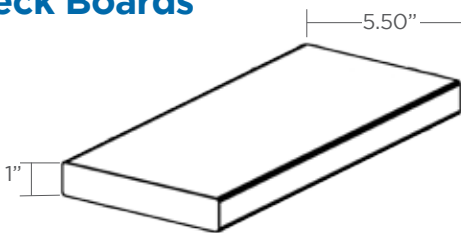
- Provide a 1/8" to 1/4" side to side gap between deck boards.
- In areas with obstructed airflow such as roofs and on-grade applications, a minimum of 1-1/2" sleeper system supported by and connected to the substructure over which the deck is built is required.
- All deck frames and substructure should be securely attached to ground footings or building structure. No floating substructures should be used (from preparation section AZEK).
- For best results, stagger splices and miters across deck surface so that all splices and miters do not break on the same joist or beam.
- To further minimize expansion and contraction, proper ventilation and air flow should be considered.
- Some area building codes may require double joisting when joining boards end to end. Double joists are always required at butt joints when using CONCEALoc. Always check with your local code authority for specific requirements before installation.

## Fasteners

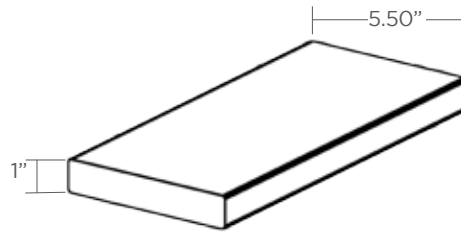
- Due to the durability of AZEK deck products, a high-quality fastener is recommended that meets the following specifications:
  - Stainless Steel
  - Minimum Screw Size: #7
  - Face screws to be a minimum length of 2 1/4"
- Be sure that screws are driven to a minimum depth of 1 1/4" into solid wood framing below the bottom of the AZEK Deck Board. This will enhance holding power and uplift resistance.
- Avoid using flathead screws. Trim head screws typically provide a better result. As always, you should try the fastener in a sample board before using on your deck.
- Be sure to install 2 screws per joist on each deck board.
- For salt water coastal applications, we suggest using the above minimum fastener requirements in 316 stainless steel.
- Color-matched stainless steel deck screws are also available. Your AZEK Building Products dealer can assist with more information on these products.
- AZEK does not recommend any fastener that is not explicitly stated in the AZEK Decking and Installation Guide. Use of any alternative fastener does not void the AZEK warranty; however, if a decking failure is caused by using one of these alternative fastening methods, any corresponding claims will be denied.
- Many of these fasteners have either not been tested, or directly affect the performance of AZEK products. As such, AZEK is not comfortable recommending them.
- Hidden Fasteners: for Arbor, Harvest and Terra Collections.
  - Tiger Claw® TC-P, Fastenmaster's Cortex®, HIDfast™, and CAMO™ fasteners are some hidden fastener systems commonly used by contractors installing AZEK Deck. Before using other types of hidden fasteners, check with the manufacturer of the fastener and/or AZEK customer service to ensure compatibility.
- **WARNING:** When installing AZEK Deck with hidden fasteners, always use a beater board against side of deck board. Do not strike deck board directly with hammer or rubber mallet.

\*Tiger Claw is a registered trademark of Tiger Claw Incorporated. Cortex is a registered trademark of Handy & Harman Corporation. HIDfast is a trademark of HIDfast. CAMO is a trademark of National Nail Corporation.

## Solid Deck Boards



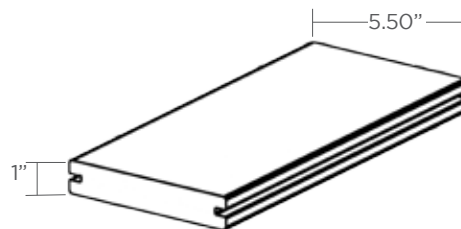
AZEK: Arbor, Harvest, & Terra



AZEK: XLM Square Shouldered

## XLM Collection Grooved Deck Boards

Use AZEK CONCEALoc Hidden Fasteners. Follow the directions on the CONCEALoc bucket, box or page 6 of this guide.



AZEK: XLM Grooved

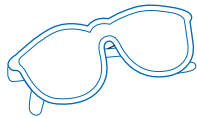
**CONCEALoc® Hidden Fasteners for use with AZEK XLM Collection Deck Boards**

**CONCEALoc & Accessory Installation Instructions**

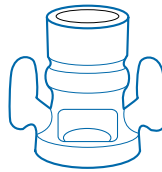
- CONCEALoc Hidden Fasteners – retail box for 100-square-foot coverage or bulk bucket for 1,000-square-foot coverage. Includes stainless steel screws.
- CONCEALoc Gun Pail – 500-square-foot coverage for use with the fastener installation gun sold separately by TigerClaw. Includes quality coated pneumatic fasteners. Stainless steel fasteners for coastal applications available through TigerClaw.
- L-Bracket – avoid face-screwing by using the L-Bracket on first and last boards or as a butt seam clip to ensure a fastener-free surface.
- CONCEALoc Router Bit – cut the correct groove dimension on a solid plank for a perfect CONCEALoc fastener fit even allows for cutting an installed plank over a joist.

**CONCEALoc® Hidden Fasteners Installation Instructions**

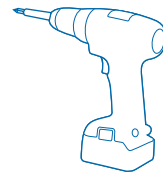
**Tools Needed**



Safety Glasses

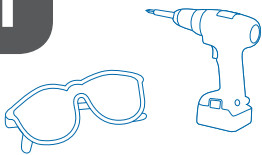


Router with Slot Cutting Blade (Optional)



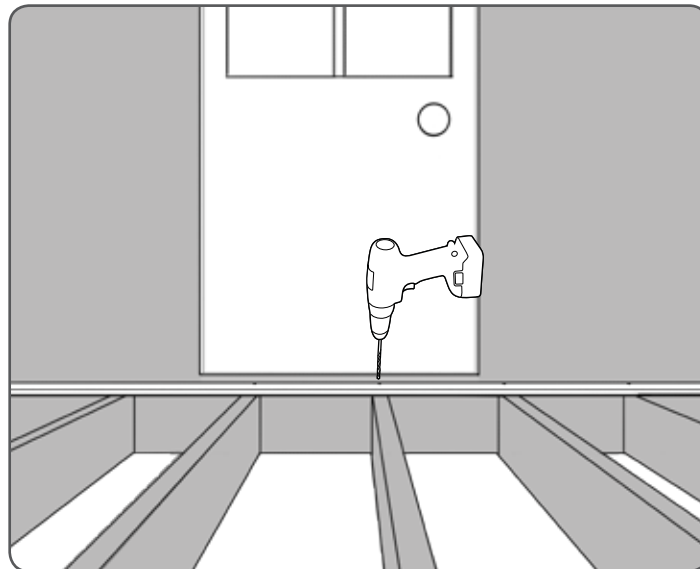
Drill

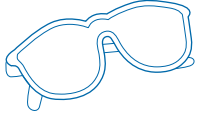
**1**



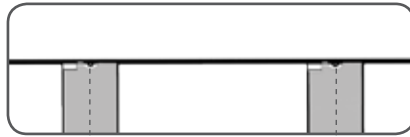
**INSTALL THE FIRST PLANK**

- Fasten outer edge of the first plank at each framing support 1" from the edge using #7- 2 1/4" deck screws. For a complete fastener-free surface, the L-Bracket or Cortex can be used on first and last boards.
- For further CONCEALoc L-Bracket or Cortex installation help please refer to the installation guide found in the retail packages.



**CONCEALoc<sup>®</sup> Hidden Fasteners Installation Instructions****2****POSITION CONCEALoc FASTENERS**

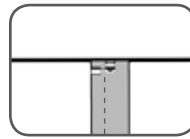
- Fully insert the CONCEALoc fastener into grooved edge of plank. Screw hole should be lined up with the center of support joist.



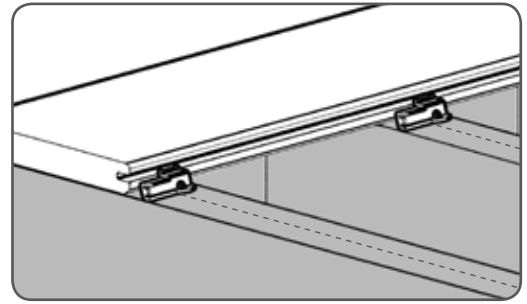
Correct



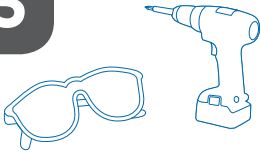
✗ Incorrect



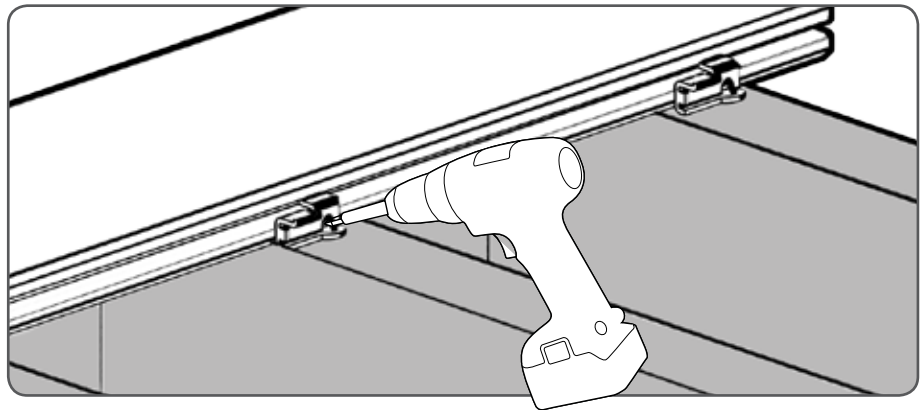
✗ Incorrect



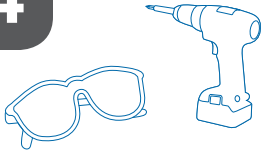
Correct

**3****INSTALL CONCEALoc FASTENERS**

- Install provided screw at 45° angle through the fastener and into the joist while applying pressure on the fastener.
- Install one fastener and screw at each joist.
- Make sure fastener is in full contact with edge of plank and the screw is holding the fastener down tight to the deck board.

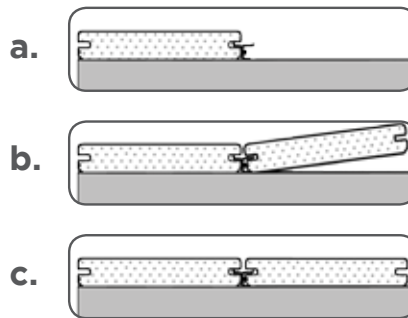


**4**

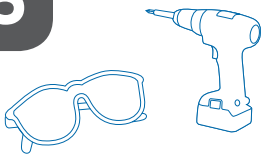


**COMPLETE INSTALLATION**

- Place the next plank into position against the fasteners. Slightly raise the outer edge of the plank being installed and slide it onto the fastener until the plank contacts the spacer tab. When properly installed the inserted plank should be in contact with the bent-forward spacer tab at the left end of the clip. To achieve this use a scrap piece of decking at least 24" in length and use it as a tamping block to drive the plank further onto the clip and the screw will fully engage the plank to the spacer tab if not already in contact.
- **Do not use a hammer or damage to the edge of the plank may occur.**

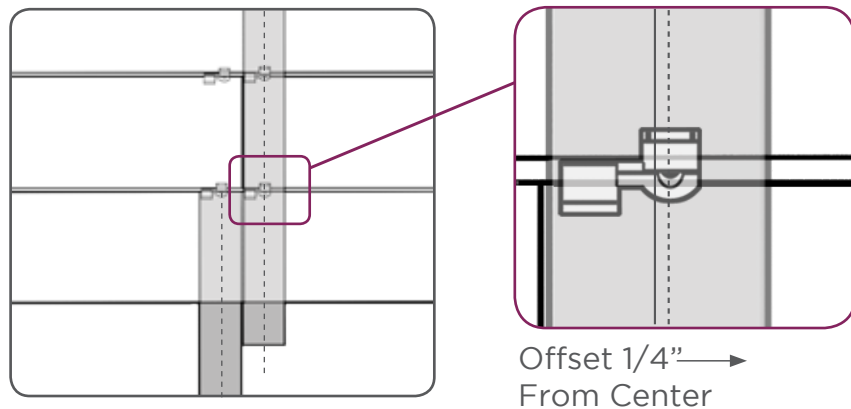


**5**

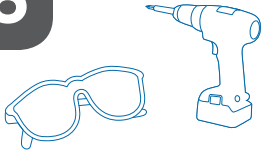


**HOW TO INSTALL AT BUTT JOINTS (UNLESS USING AZEK L-BRACKET)**

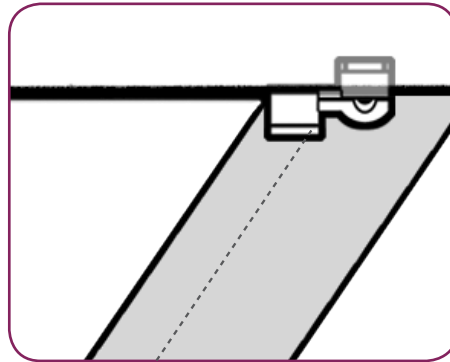
- Joists at butt joints must be doubled up for proper fastener attachment.
- Install fasteners as detailed below. Note that the two clips on the right are shifted approximately 1/4" to the right of center on the joists. If this is not done the spacer tab may fall within the gap of the butt joint.



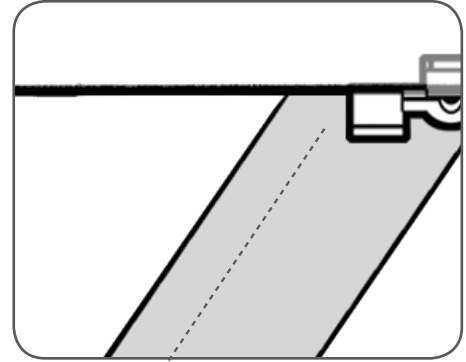


**6****HOW TO INSTALL ON DIAGONAL**

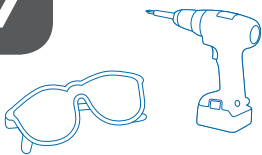
- When the deck is located in a corner of the house, start with small triangular piece of decking in the corner and work your way out.
- Offset the clip 1/2" to the right of center line of the joist, so screw will not exit the side of the joist when driven.



✗ Incorrect

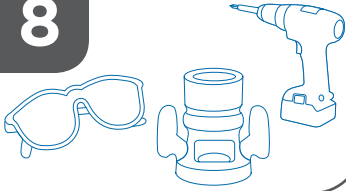


Correct: Shift over 1/2"

**7****HOW TO REPLACE A PLANK**

- Make two parallel cuts down the center of the board to be replaced, then remove the center piece.
- Using a small pry bar, remove the remaining pieces of decking from the tabs.
- Using a reciprocating saw, remove the tabs on the side of the board with the screw heads showing.
- Position new board into place, and drive onto remaining tabs.
- Once the board is set into position, secure the loose edges with L-Bracket, Cortex, stainless steel, or high-quality coated deck screws.

8

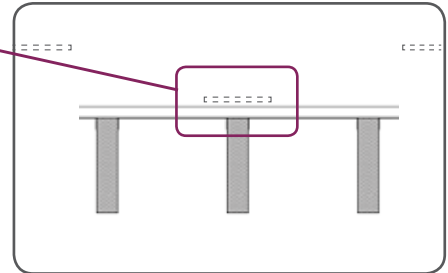
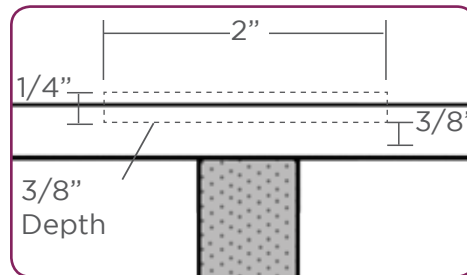


**TO USE CONCEALoc**<sup>®</sup> **HIDDEN FASTENERS WITH AZEK XLM COLLECTION SOLID DECK BOARDS**

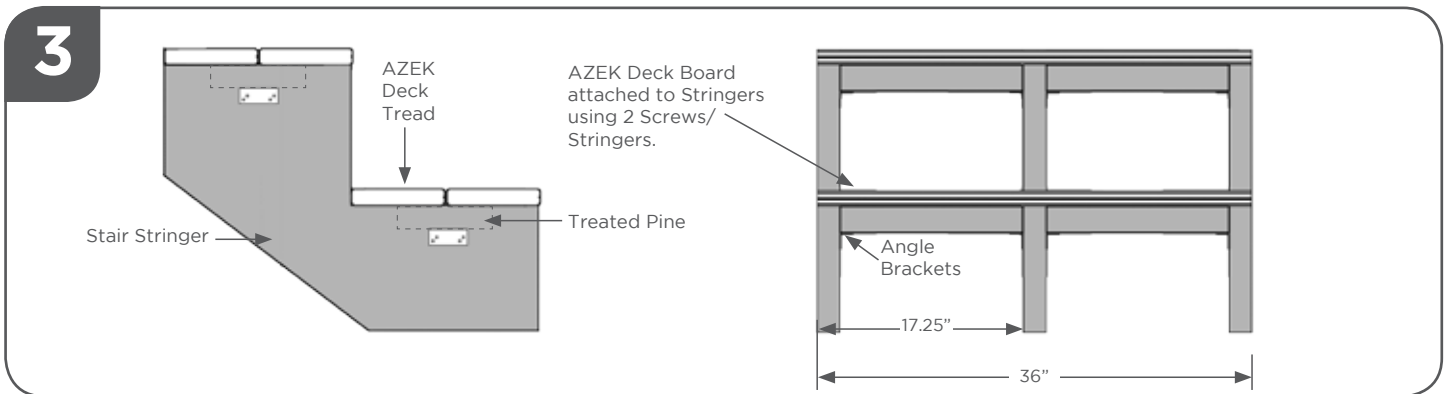
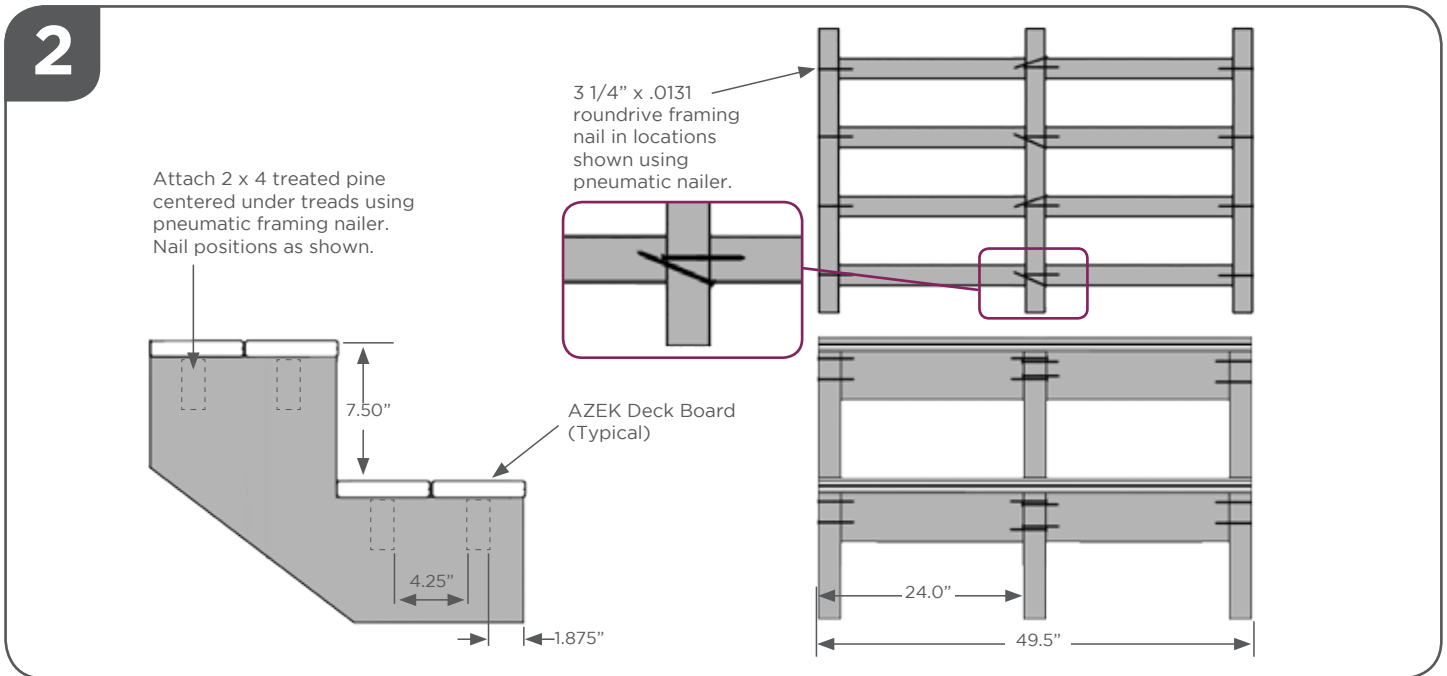
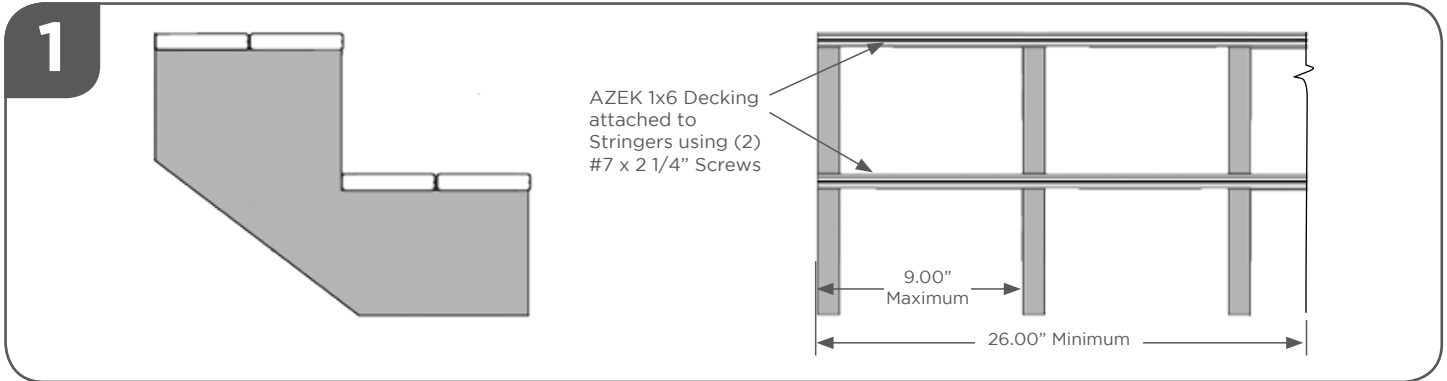
- Create a 2" long groove on the edge of the plank at every joist.
- Use AZEK's CONCEALoc Groove Cutting Router Bit or a Freud model #56-112 or Bosch model #85610M 1/4" slot cutting bit.
- Flip the plank over and start the groove 3/8" off the bottom of the plank.
- Set the depth of the cut from 7/16" to 1/2" deep.



**Do not use CONCEALoc**<sup>®</sup> Hidden Fasteners or L-Brackets for stair installation.



In order to meet the AC174 Requirement for stair loading, follow one of the methods below:



## Installing Stairs

- Stairs should be constructed per local code requirements.
- Use XLM Riser Board or a AZEK ripped Rim Joist Covers for riser installation.

## AZEK Deck Rim Joist Covers

- 12' lengths – 1/2" thick by 11.7" wide.

### Arbor Collection

- Acacia®, Morado®, Redland Rose®, Silver Oak®

### Terra Collection

- Sedona®, Tahoe®

### Harvest Collection

- Clay, Brownstone, Slate Gray, Modena®, Kona®

### XLM Natural (available in two surface finishes)

- Mountain Cedar, RiverRock, SandRidge

### XLM Tropical (available in two surface finishes)

- Walnut Grove, RusticBark, Harvest Bronze

## AZEK Stair Risers

- Use as a riser for stairs.
- Can also be used as a Rim Joist Cover for a 2x8 rim joist.
- See fastening guidelines for Rim Joist Covers
- 12' lengths and 1/2" thick x 7-1/4" wide.
  - XLM Deck Natural** (available in two surface finishes)
    - Mountain Cedar, River Rock, Sand Ridge
  - XLM Deck Tropical** (available in two surface finishes)
    - Walnut Grove, RusticBark, Harvest Bronze

## Fastening Methods: AZEK Rim Joist Cover/Riser Installation Guidelines

### Recommended Fasteners

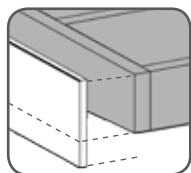
- Due to the durability of AZEK Deck products, a high-quality fastener is recommended that meets the following specifications:
  - Stainless Steel
  - Minimum Screw Size: #7
  - Face screws to be a minimum length of 1 3/4"
- Avoid using flathead screws. Trim head screws typically provide a better result. As always, you should try the fastener in a sample board before using on your deck.
- For salt water coastal applications, we suggest using the above minimum fastener requirements in 316 stainless steel.
- Color-matched stainless steel deck screws are also available. Your AZEK Building Products dealer can assist with more information on these products.

### Storage

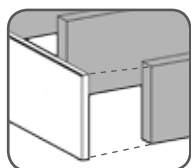
- Store rim joist cover in a cooler, shady area prior to installation.
- Store rim joist covers on a flat solid surface.

### Rim Joist Cover/Riser Attachment

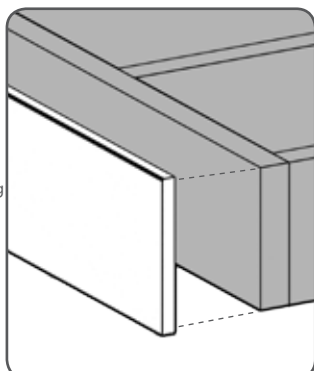
- Attach rim joist cover to a solid backer wide enough to support the entire width of the rim cover. Use 2 x 12 wood rim board or rip cut rim joist cover to fit exactly.
- Use a quality exterior rated construction adhesive as shown below.
- Install three (3) screws from top to bottom with top and bottom screws positioned no more than 1/2" from the edge as shown below. The third screw should be approximately centered in the board. Repeat this configuration every 12". Screws at ends of boards should be no more than 1/2" from the end.



X Incorrect: Overhang

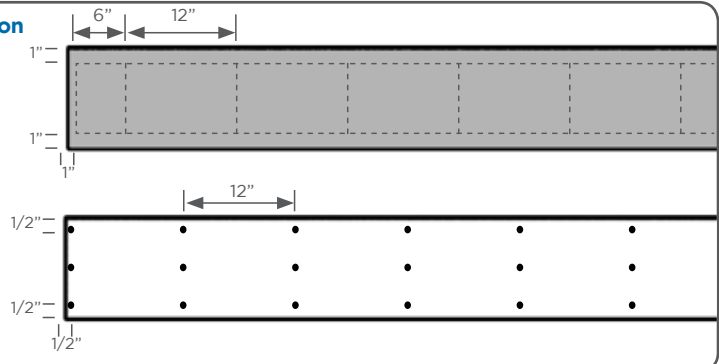


X Incorrect: Missing Solid Backer



Correct

### Construction Adhesive



### Screws On Rim Joist Cover

The techniques shown above should be used for best results. Results may vary as expansion and contraction could still occur. AZEK Building Products Inc. claims no liability or responsibility for the improper installation of this product. Since all installations are unique, it is the sole responsibility of the installer to determine specific requirements in regard to each decking application. AZEK Building Products recommends that all designs be reviewed by a licensed architect, engineer or local building official before installation. Please contact AZEK Customer Service prior to installing if you have question or concerns.

### Storage & Handling

- Store AZEK Deck, Porch, & Rim Joist Covers on a flat and level surface.
- Store products in a cool, shady area prior to installation.
- Do not stack bundles over 8 units high.
- Always leave factory applied protective wrap. If stored outdoors, the product must be covered with non-translucent material.
- Use care when handling product with a forklift as forks can easily damage the material.
- If banding is used, use protective corners to prevent indents from the bands.
- Avoid storing AZEK Deck, Porch, Rim Joist Covers, & Riser in areas of excessive heat.

### Considerations

- Depending on environmental conditions, AZEK Deck, Porch, Rim Joist Covers, & Riser colors may appear to lighten over time as part of the natural weathering process.
- Please be aware that excessive heat build on the surface of AZEK products from external sources such as, but not limited to, fire or reflection of sunlight can potentially lead to damage. For example, sunlight which may be reflected by low-emissivity (Low-E) glass can potentially lead to damage of exterior building products, including AZEK Deck, Porch, & Rim Joist Covers, Riser, Trim, Moulding or Railing products, due to elevation of surface temperatures which far exceed that of normal exposure of the same materials to direct sunlight. Possible damage by such reflected concentrated light may include melting, sagging, warping, distortion, surface discoloration, increased expansion or contraction, and unusual weathering.
- Static build-up is a natural occurring phenomenon that can occur with many plastic products including PVC Decking. It could occur with AZEK products under the right environmental conditions
- Although AZEK Deck & Porch products are cooler to the touch than many other deckboard products in similar colors, all decking products will get hot in the sun. Additionally, the darker the decking color, the hotter it will feel.
- Always remove jobsite dust, clay, dirt, mud, and other construction products from AZEK Deck, Porch, Rim Joist Covers, & Riser quickly. Do not allow construction dirt and debris to sit on the AZEK Deck/Porch surface.
- **IMPORTANT:** Do not allow airborne dust from concrete, landscape blocks, or any masonry product to accumulate on the AZEK Deck, Porch, Rim Joist Covers, & Riser surface as it may damage the surface of the deck. Do not cut any product on or near AZEK Deck, Porch, & Rim Joist Covers.

## Care & Maintenance

To keep your AZEK Deck/Porch looking its best:

- To remove rust stains, use a household cleaner such as Krud Kutter “the must for rust”.
- Avoid the use of rubber-backed mats, tarps, pool toys, and other non-porous items on the deck/porch for any extended period of time as these items may cause discoloration to the decking surface.
- Some products, such as sunblock and insect repellent, contain chemicals that may alter the surface of AZEK Deck, Porch, Rim Joist Covers, & Riser. Check product labels and consult with the manufacturer as to product compatibility with plastic materials, such as AZEK Deck, Porch, Rim Joist Covers, & Riser, prior to use on or near AZEK Deck/Rim Joist Covers.
- Do not get any PVC glue or similar product on the surface of any AZEK Decking/Porch Product as it may discolor and permanently damage the surface.
- To clean AZEK Deck/Porch, use an all-surface deck cleaner or another all-purpose cleaner such as Chomp<sup>®</sup> Gutter cleaner, Zep<sup>®</sup> 505, Simple<sup>®</sup> Green or Krud Kutter<sup>®</sup> Cleaner/Degreaser with a stiff natural fiber brush.
- Always read the cleaning product manufacturers specific information before using any product on your AZEK Deck and follow their instructions. It is also a good idea to test the cleaner on a scrap piece or inconspicuous area of the deck to make sure it does not harm the surface.
- WARNING: Keep children and pets away from cleaning products and AZEK Deck until dry.

- \*Note that *composite deck* cleaners such as Corte Clean<sup>®</sup>, Thompson’s<sup>®</sup> Water Seal<sup>®</sup> Oxy Action, Olympic<sup>®</sup> Premium Deck Cleaner, or other *cleaners specified as composite deck cleaners*, in powder or liquid form, *SHOULD NOT* be used with AZEK Deck/Porch. AZEK Deck/Porch is a PVC/polymer deck plank and not a wood/plastic composite.
- Store products under cover to maintain a clean surface.
- If stored outdoors, they must be covered with a non-translucent material.

### Ice and Snow:

- As with any walking surface, AZEK deck products may become slippery in Winter weather. Take caution when walking on the your AZEK deck in these conditions.
- For ice removal, most products containing calcium chloride can be used without damage to the deck/porch surface.
- These products may leave a white residue which can be cleaned using the cleaning guidelines above.
- Metal shovels or plastic shovels with a metal leading edge may damage the surface of AZEK Deck and are not recommended for clearing snow from deck/porch surface.

(These guidelines may not cover every care and maintenance scenario encountered. For additional questions about care and maintenance, call (877) ASK-AZEK).

## Warranty

AZEK Building Products are made exclusively from technologically advanced materials designed to provide years of enjoyment. AZEK Deck products are covered by a Limited Lifetime Warranty for residential applications and a 20-year Limited Warranty for commercial applications. The warranty covers defects resulting in blistering, peeling, flaking, cracking, splitting, cupping, rotting or structural defects from termites or fungal decay.





**CPG Building Products, LLC**  
888 North Keyser Avenue • Scranton, PA 18504  
[www.AZEK.com](http://www.AZEK.com) • (877) ASK-AZEK (877) 275-2935