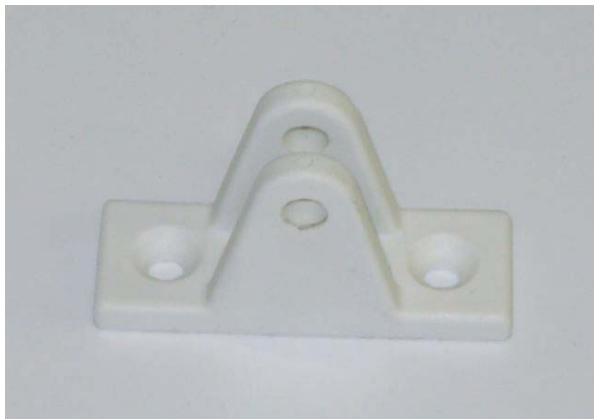


STORM RATED BAHAMA SHUTTER

Installation Instructions

- 20 pcs. Camelback Clips
 - 10 pcs. Clevis Pins
 - 2 pcs. Tilt Rods (factory assembled)
 - 1 pc. Female Hinge
 - 1 pc. Male Hinge (factory attached to shutter)
-

NOTE:
BEFORE BEGINNING ANY STEPS,
THOROUGHLY READ ANCHOR
SPECIFICATIONS ON NEXT PAGE.



Camelback Clip



Clevis Pin



Tilt Rod

ANCHOR SPECIFICATIONS

- EXISTING STRUCTURE MAY BE CONCRETE, HOLLOW BLOCK OR WOOD FRAMING. FOR PROPER ANCHOR TYPE BASED ON TYPE OF EXISTING STRUCTURE, SEE ANCHOR SCHEDULE BELOW.
- ANCHORS SHALL BE INSTALLED IN ACCORDANCE WITH MANUFACTURERS' RECOMMENDATIONS.
- WHERE EXISTING STRUCTURE IS CONCRETE OR HOLLOW CONCRETE BLOCK, MINIMUM EDGE DISTANCE SHALL BE 3" FOR ALL ANCHORS.
- WHERE EXISTING STRUCTURE IS WOOD FRAMING, EXISTING CONDITIONS MAY VARY. FIELD VERIFY THAT FASTENERS ARE INTO ADEQUATE WOOD FRAMING MEMBERS, NOT PLYWOOD.
- MINIMUM EMBEDMENT AND EDGE DISTANCE EXCLUDES STUCCO OR OTHER EXTERIOR WALL FINISHES.

CAMELBACK CLIP ALLOWABLE ANCHORS:

TO CONCRETE: 3" FASTENER EDGE DISTANCE

- 1/4" x 1 3/4" EMBED TAPCONS OR EQUIVALENT

TO WOOD: 3/4" FASTENER EDGE DISTANCE

- #10 x 1 1/2" EMBED WOOD SCREWS OR EQUIVALENT.

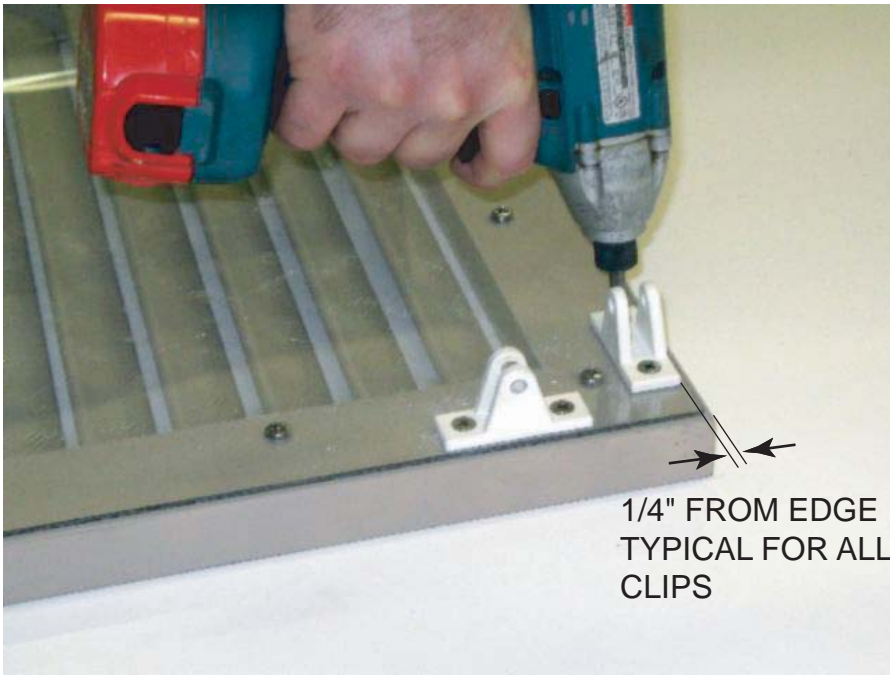
MALE HINGE ALLOWABLE ANCHORS:

TO CONCRETE: 3" FASTENER EDGE DISTANCE; 7" FASTENER SPACING

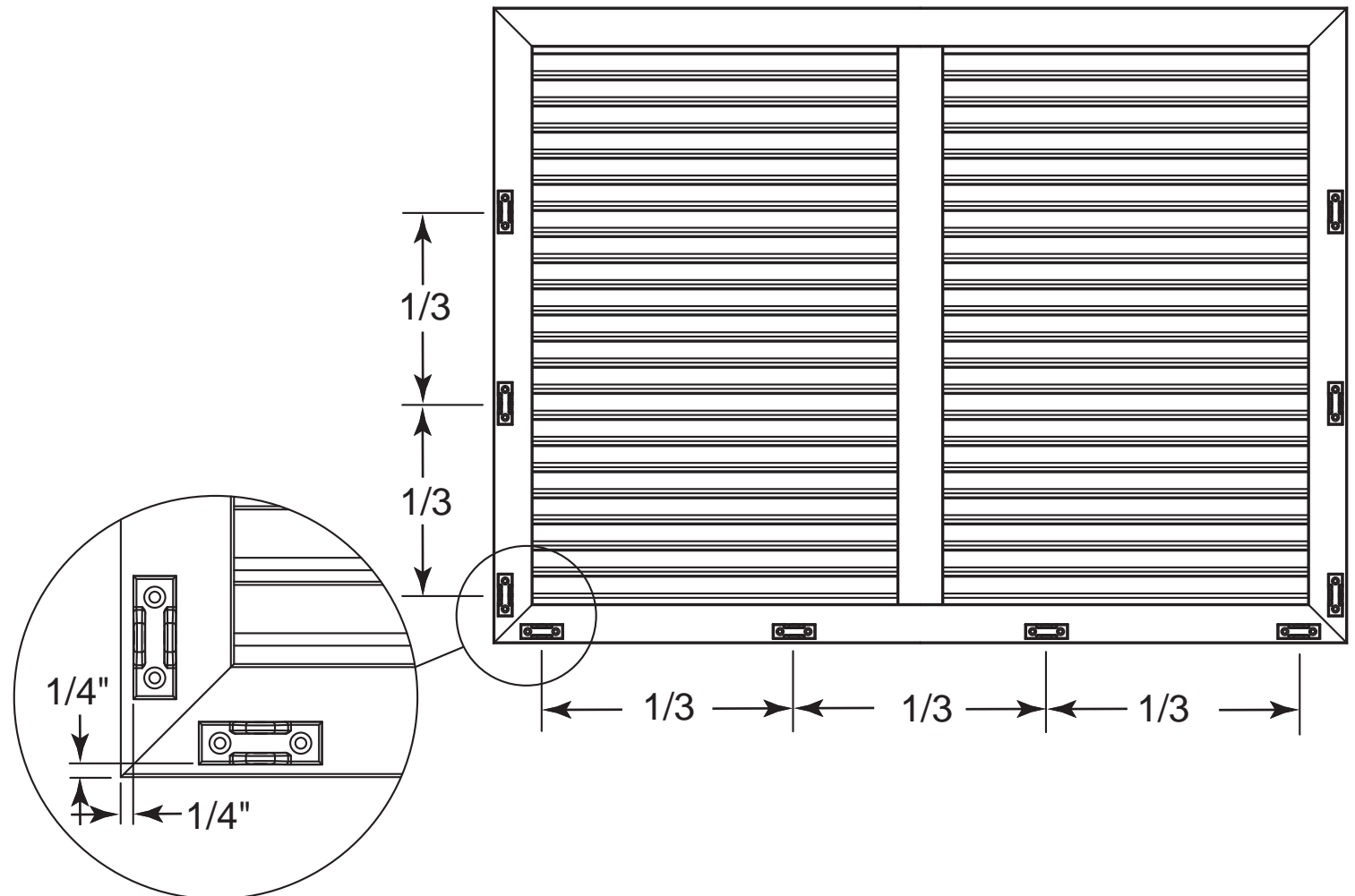
- 3/16" x 1 3/4" EMBED TAPCON OR EQUIVALENT
- 1/4" x 1 3/4" EMBED TAPCON OR EQUIVALENT

TO WOOD: 3/4" FASTENER EDGE DISTANCE

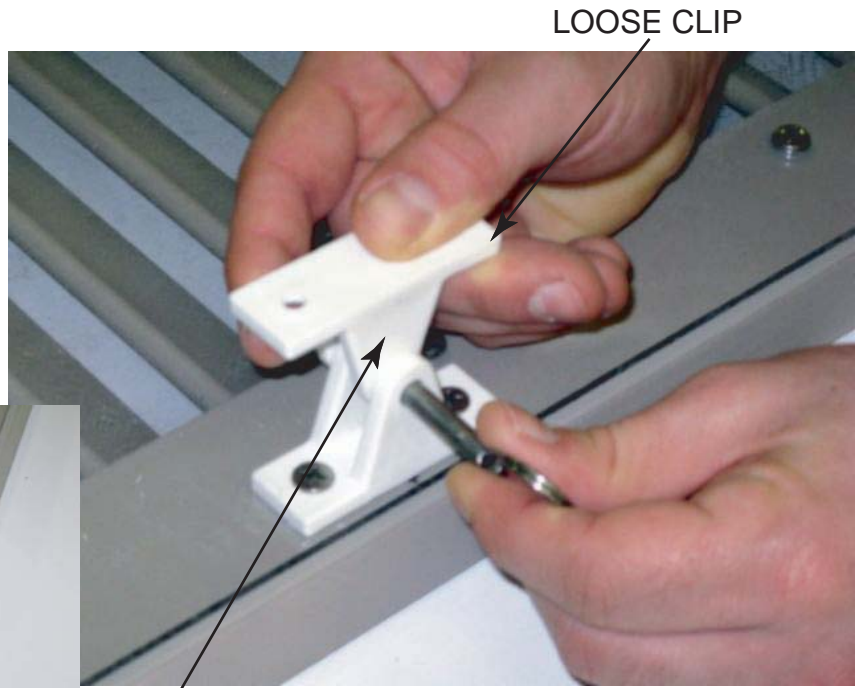
- 1/4" x 2" EMBED LAG SCREW OR EQUIVALENT
- #12 x 1 1/4" EMBED WOOD SCREW OR EQUIVALENT



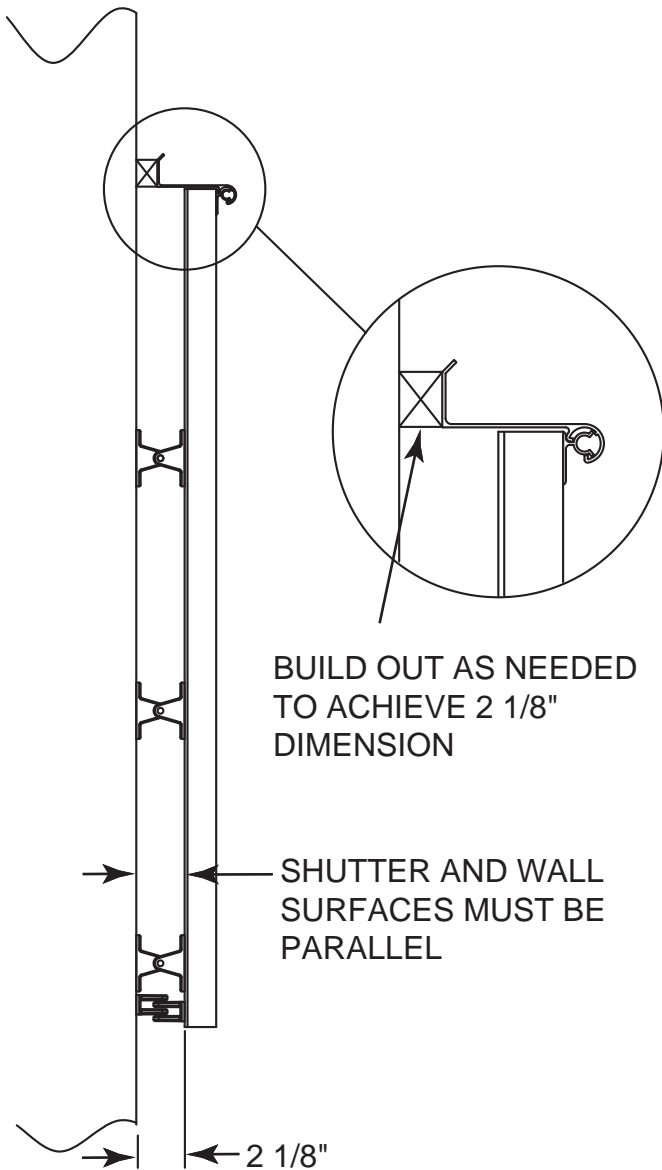
- 1 Install the Camelback Clips on the back of the shutter. Pre-drill pilot holes using a 5/32" drill bit. Three clips should be placed in thirds spacing on the vertical stiles of the shutter. Four clips should be evenly spaced across the bottom rail. To ensure the mounting screws anchor into the screw bosses in the shutter, space the clips 1/4" away from edge.



- 2 Pin a Camelback Clip to each of the ten Camelback Clips that were previously installed in Step 1. Ensure the outer leg of the loose clip is straddled by the mounted clip.



OUTER LEG



- 3 Mount the Female Hinge to the wall using the correct fastening hardware and spacing shown on the anchor specification page. Center the Female Hinge horizontally.

*Build out may be required to achieve 2 1/8" spacing and parallel surfaces.



- 4 Attach the shutter to the Female hinge by aligning the hinges and sliding the shutter toward the window.



- 5 With the shutter centered over the window opening, mark the location of all the Camelback clips on the wall. Remove the Clevis Pins and attach the clips to the wall using the proper fasteners as stated on the anchor specification page.



- 6 To ensure proper alignment, insert a pin through each of the Camelback clips.



- 7 Install the Tilt Arm by removing the previously installed pin. Insert the arm between the Camelback Clips and pin it into place.

